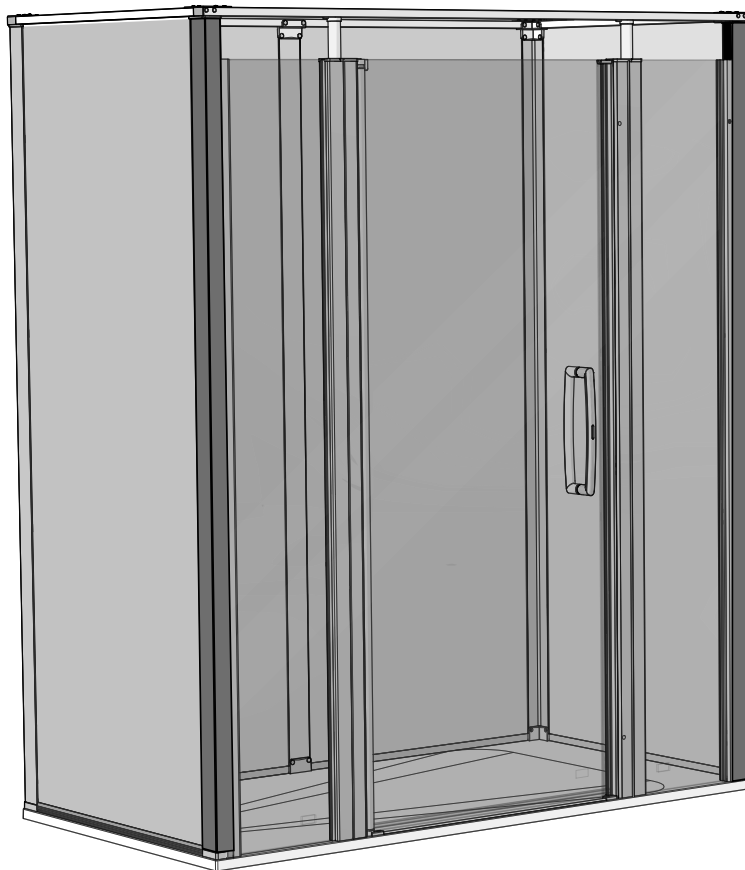




# Onyx Shower Enclosures

## Installation Instructions and User Care Instructions



**Installer: Follow these instructions before attempting installation**

Always read all instructions carefully before installation and leave this instruction manual with the end user for future reference



## Onyx Enclosures

The shower enclosure has multiple possible assembly configurations because of the modular construction. Determine the desired configuration before starting any installation work. The enclosure is designed to be installed easily. These instructions will guide you through the installation process.

Dry fit and mark your sections out before finally fixing all the screws together. Start off with your tray configuration as this will determine how your shower enclosure will be installed.

Please note that screw holes must be on the inside of the enclosure.

# Important Safety Notes



Read these instructions carefully and leave them with the end user after installation.

**Do not discard this document. It contains important warranty information.**



The product is heavy (up to 25 kg for some parts). Get someone to help lift, assemble and install it, if necessary.



Always wear safety glasses when you use power tools and use the appropriate personal protective equipment.



Always disconnect power tools from the electrical supply when you have finished using them.



Make sure that any electrical cables do not cause a trip hazard.



Take care when handling the profiles. They may have sharp edges.



Follow the manufacturer's safety instructions when you use any silicone sealant or degreasing agent.

When you unpack the product:



Take care when you unpack the product and make sure that you do not inadvertently damage or discard any small parts. If any parts are missing or damaged, contact the AKW-Ltd customer services.

While you work:



Make sure that all surfaces are clean, dry and free from loose debris or dust.



Protect the surfaces of the shower tray and cover the waste to prevent the loss of small components and prevent debris from entering the waste trap.



Make sure that you follow the manufacturer's instructions to degrease any surfaces that you need to apply silicone to.



Use the external packaging to protect the floor and wall when you assemble the product.

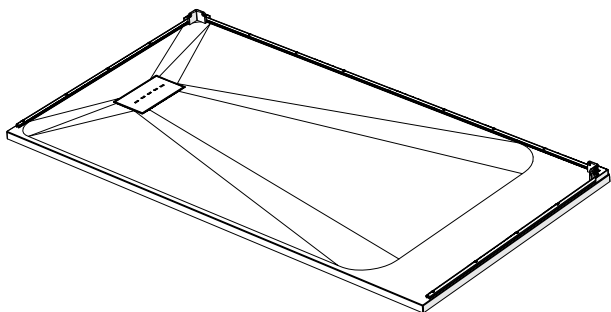


Use a spirit level throughout the installation.

# Shower Tray Installation

## 1 Preparation

Ensure that all parts are present before installation.



Before the tray is installed, check to see if there is any damage to the tray assembly which may have occurred during transport.

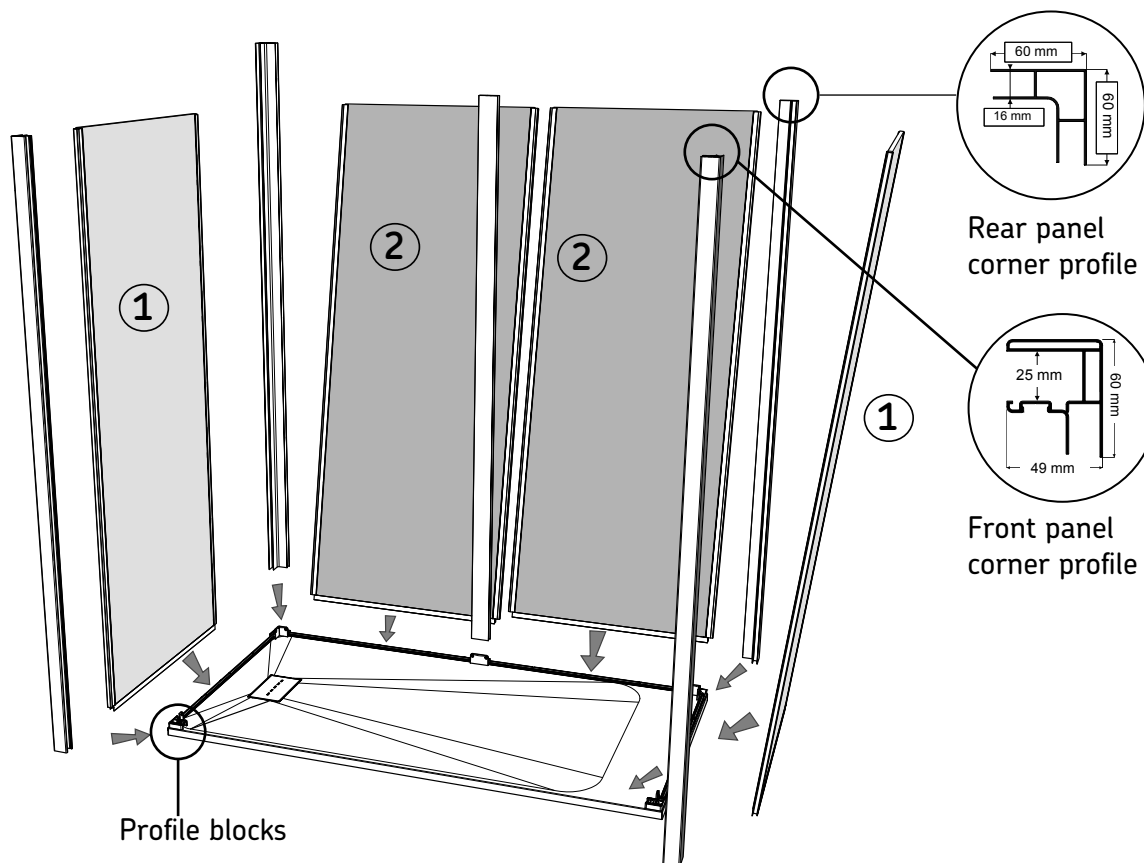
## 2 Positioning the shower tray

The position of the tray is important as Onyx trays can be installed on or into floors with the suitable waste unit installed. Shower enclosures are designed to be free-standing and can be positioned in the room as desired provided that there is a suitable waste outlet positioned towards an exterior wall and the waste water fall is 1:40 from the waste unit to the outlet pipe.

Ensure that all sides of the tray are level and the waste outlet is sealed before installing the panels.

Panels 1  
for sides  
2 for back

Note:  
Panel 1  
could be  
a glass  
panel



# Shower Tray Installation

## 3 Installing the shower tray and waste

The tray is suitable for 'on or in' floor installations.

Ensure that the floor levels are tested before completing the installation, water test the flow from tray into waste for correct installation and drainage efficiency. It is important to ensure that the floor is level in all directions before putting the tray into place. If water puddles away from the waste, this is a clear indication that the levels are incorrect - that the water must drain towards the waste.

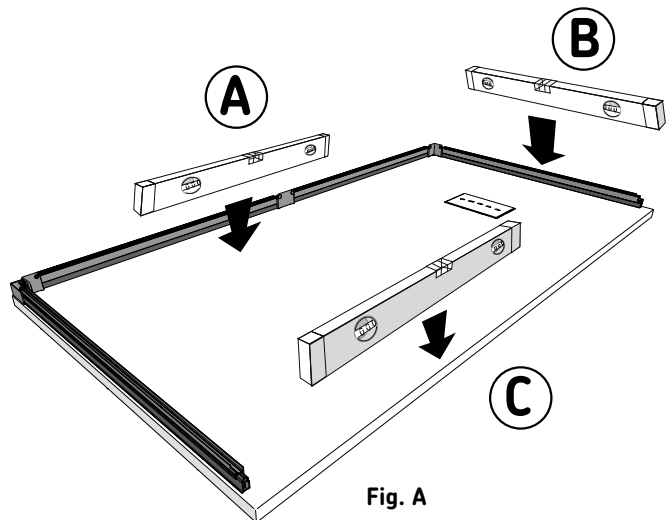
The sides on the tray **A** and **B** may well show level on testing, but if point **C** is low, then water will puddle in the area of point **C** and the only remedy is to level the floor and refit the tray. The tray has 'lands' on all four sides. Use a spirit level front to back and side to side - all 'lands' and flat edges must be level (**ABC**) - the fall is moulded into the tray (See Fig. A).

See separate Onyx Low Profile Shower Tray and Onyx Waste Installation Instructions, ensure that these are completed before starting on the enclosure.

Check and test the waste outlet.

Ensure that the tray is correctly installed, sealed to the floor with an adhesive and level on all sides.

Protect the waste cover during installation of the cubicle.

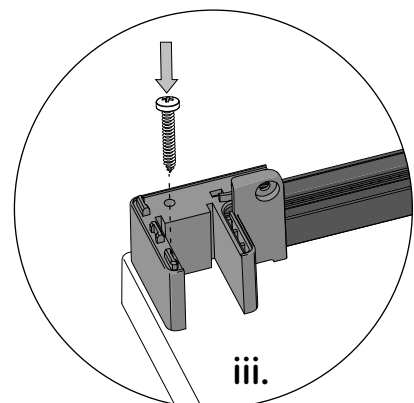
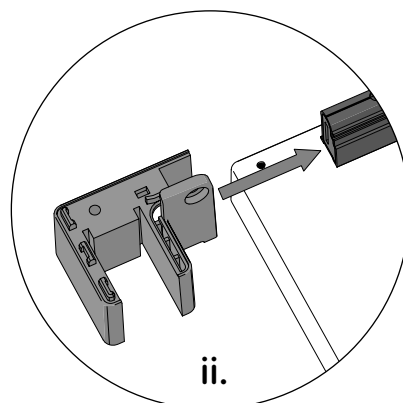
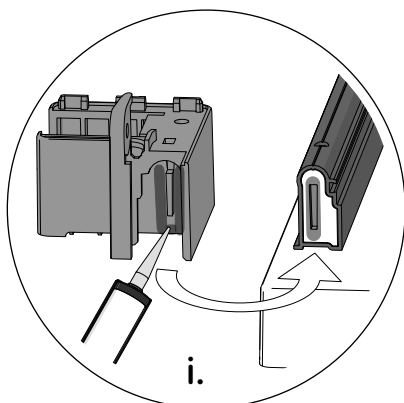
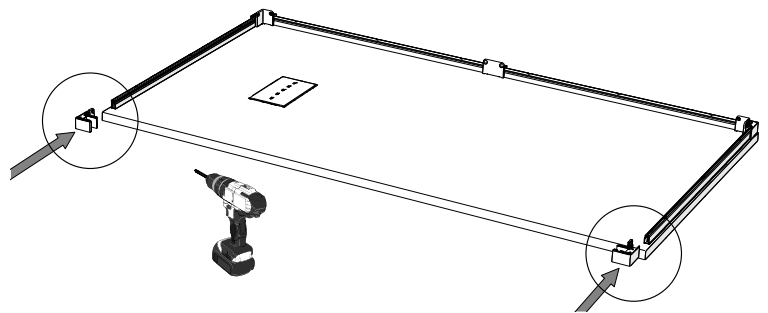


## 4 Front corner blocks

i. Apply silicone to the inside edges of the corner blocks and onto the plugs in the end of the extrusions.

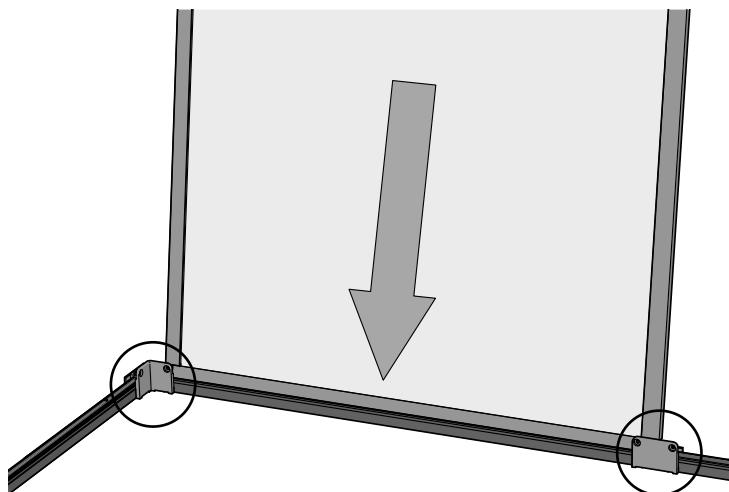
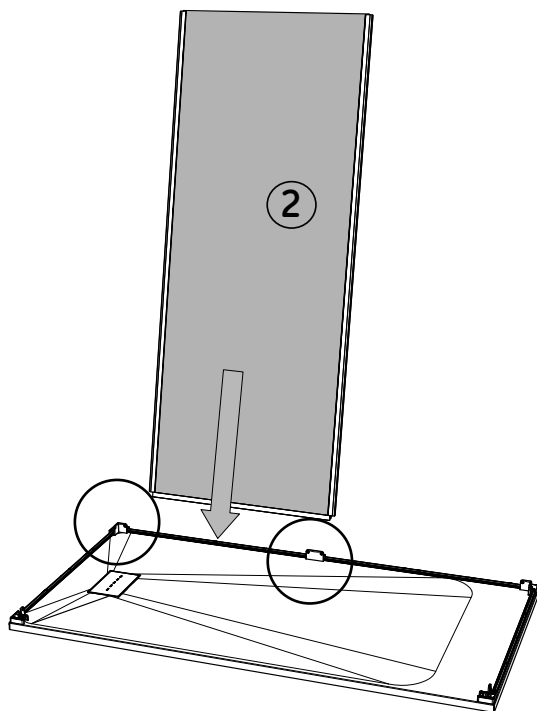
ii. Slide the corner blocks onto the tray. Ensure the features are pushed fully together.

iii. Screw the corner blocks to the tray using a 3.5 x 38mm pan head screw.



## 5 Installing panel 2 onto the tray

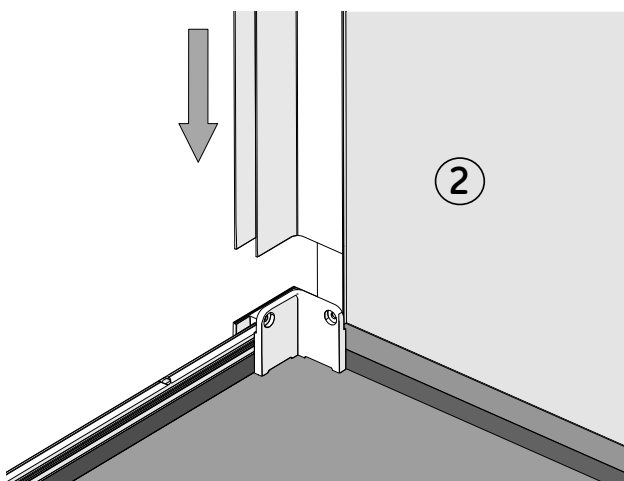
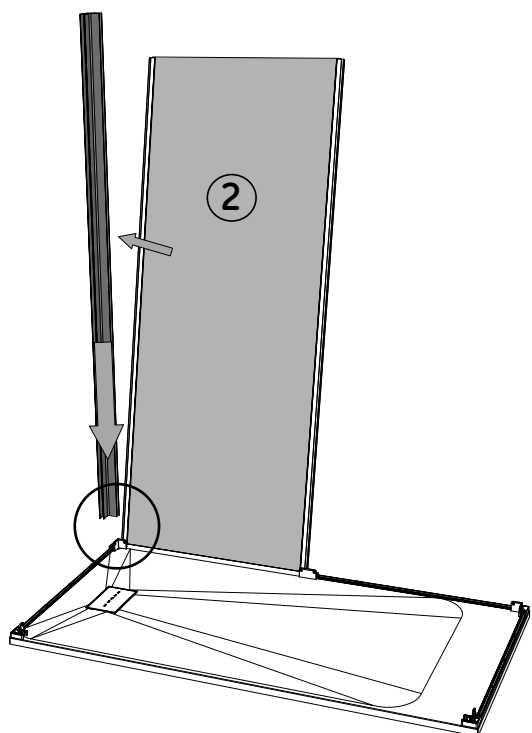
Slide panel 2 down onto the locating extrusion along the rear of the tray.



Install all panels and top blocks before any drilling or fixing into position.

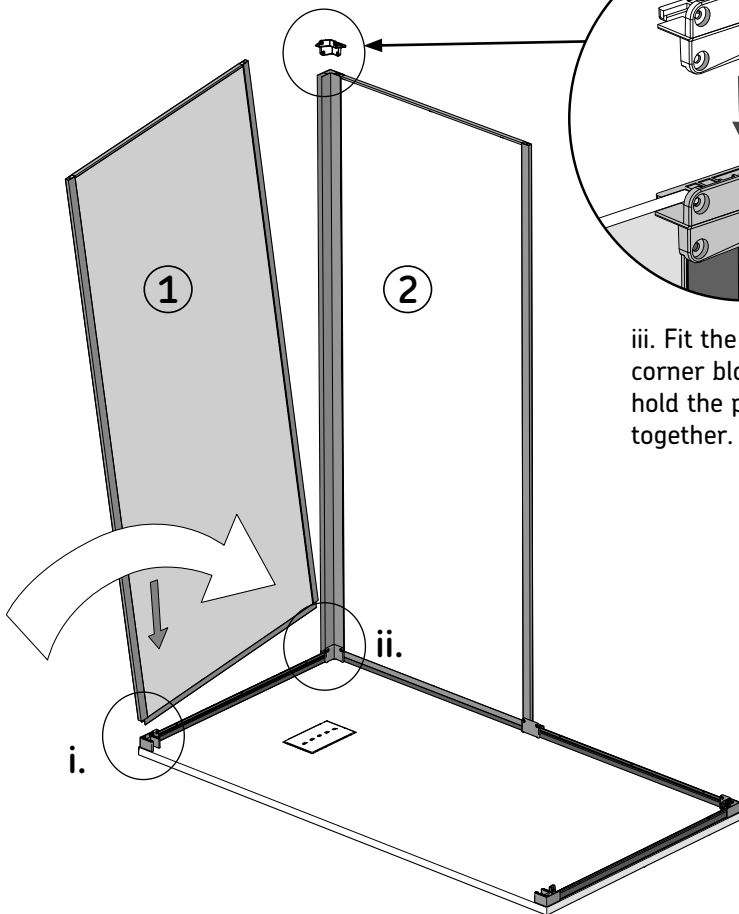
## 6 Installing the corner profile

Push the corner profile on the side of the panel and slide down onto the corner block at the bottom rear left of the tray. Temporarily hold this in position whilst locating panel 1.



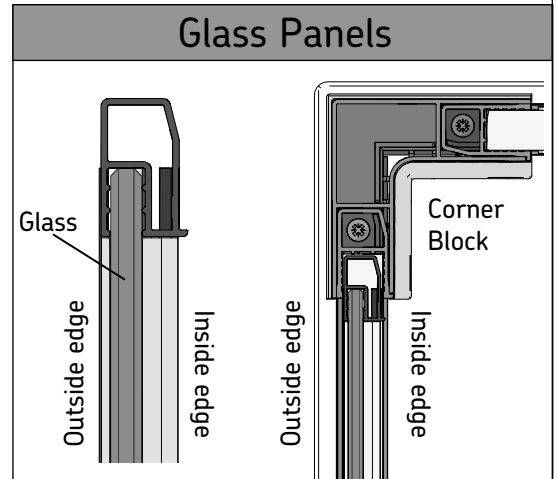
# Panel Installation

## 7 Installing panel 1



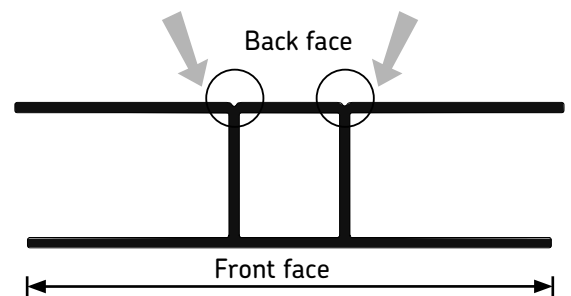
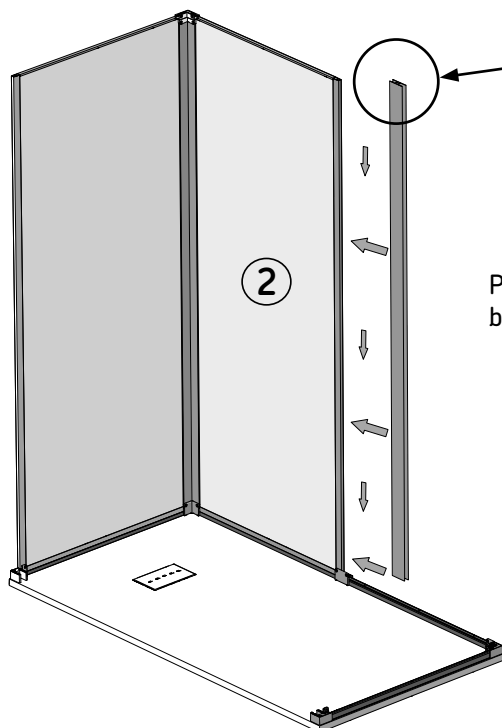
- i. Place the bottom corner of the panel onto the front corner block.
- ii. Rotate the panel into the corner profile. Ensure that both panels are inserted fully home into both corner blocks and tight against the tray.

iii. Fit the top corner block to hold the panels together.

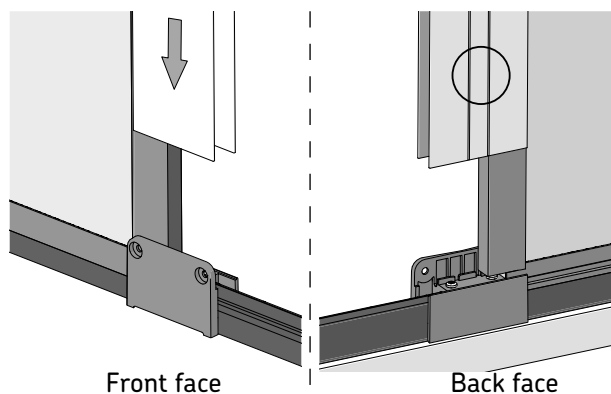


NOTE: When installing glass end panels ensure that the glass is the correct way round to fit into the corner blocks. Only use small 6mm screws when installing glass. See step 15&16.

## 8 Installing the inline profile

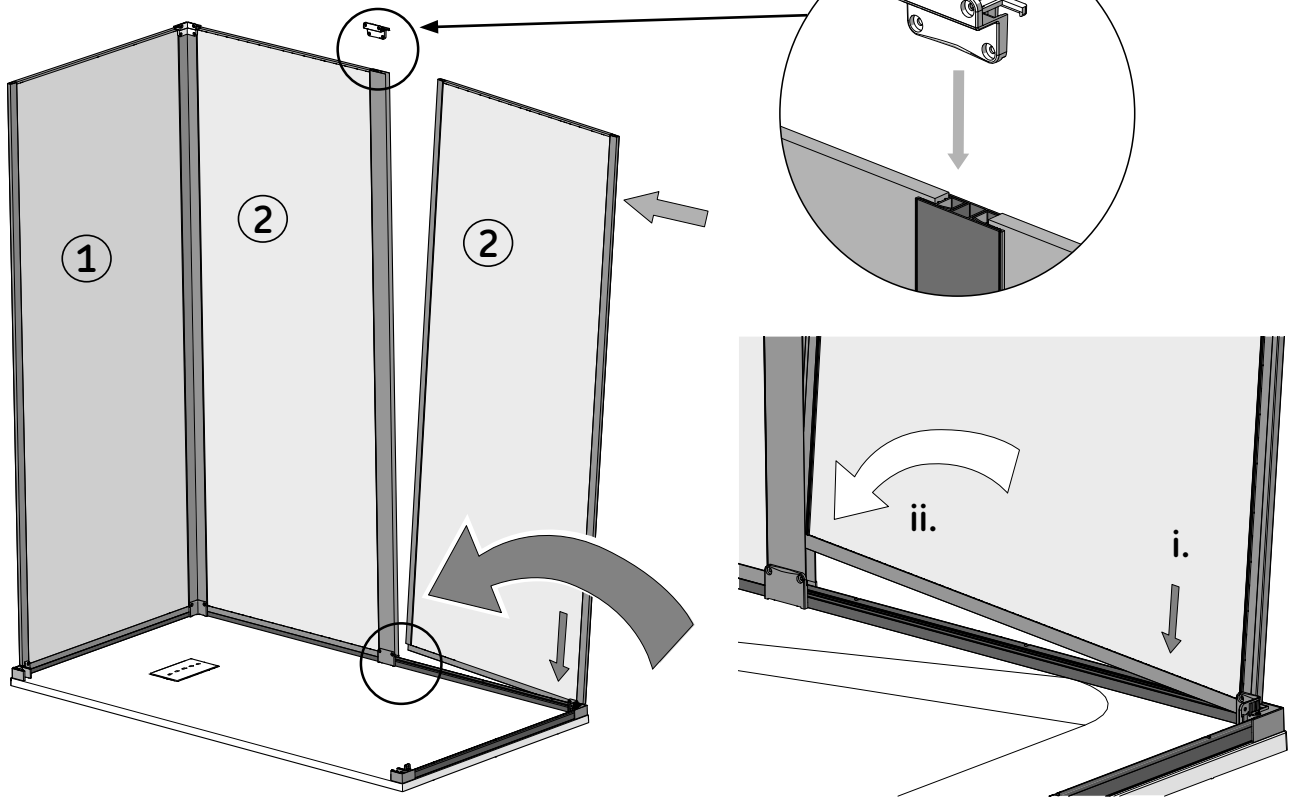


Push the inline profile onto panel 2 and down onto the centre bottom block. Note the front face is shorter than the back face.

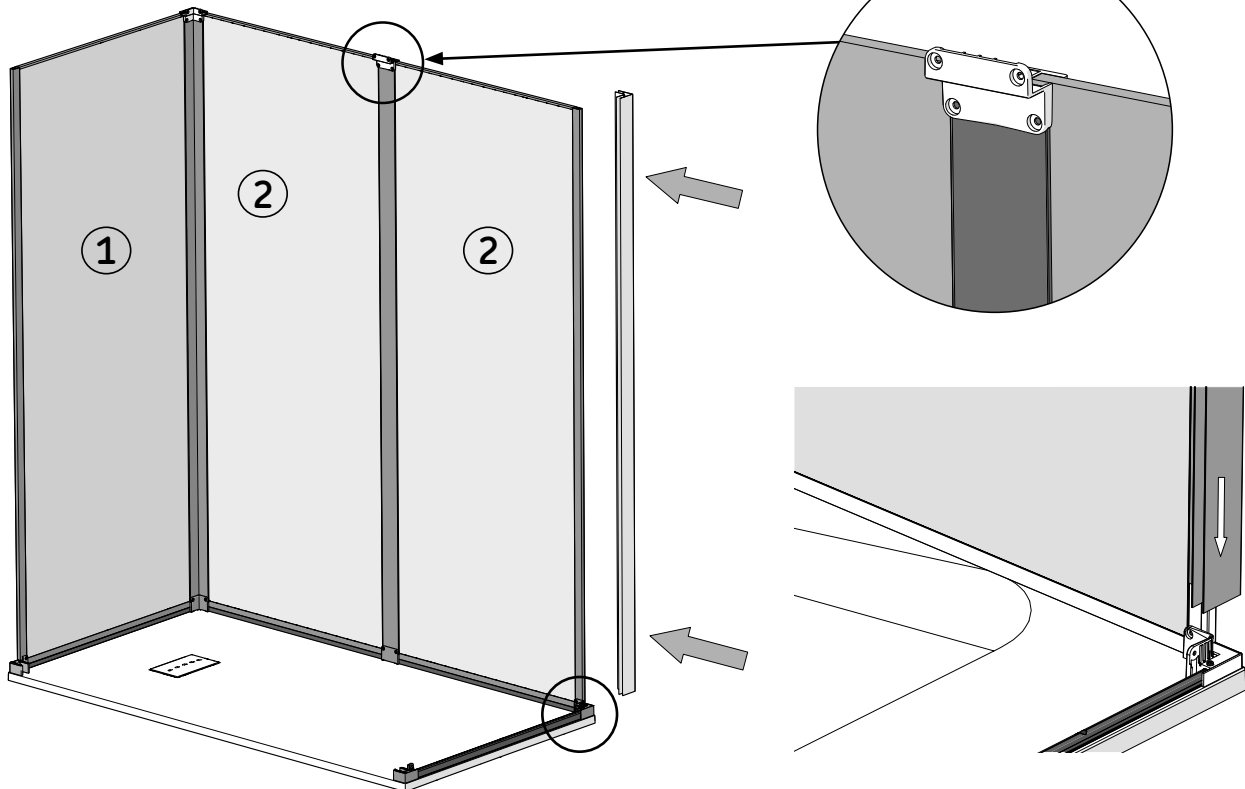


# Panel Installation

## 9 Installing panel 2



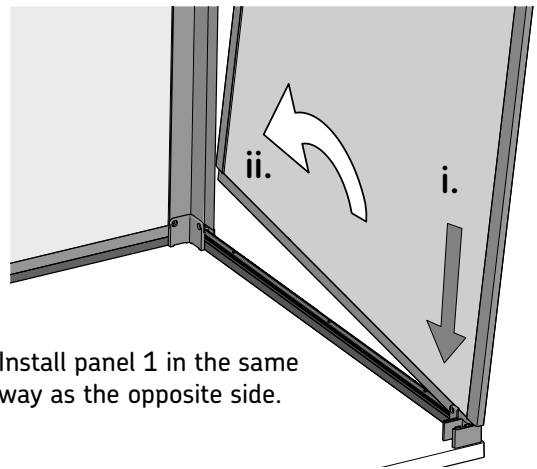
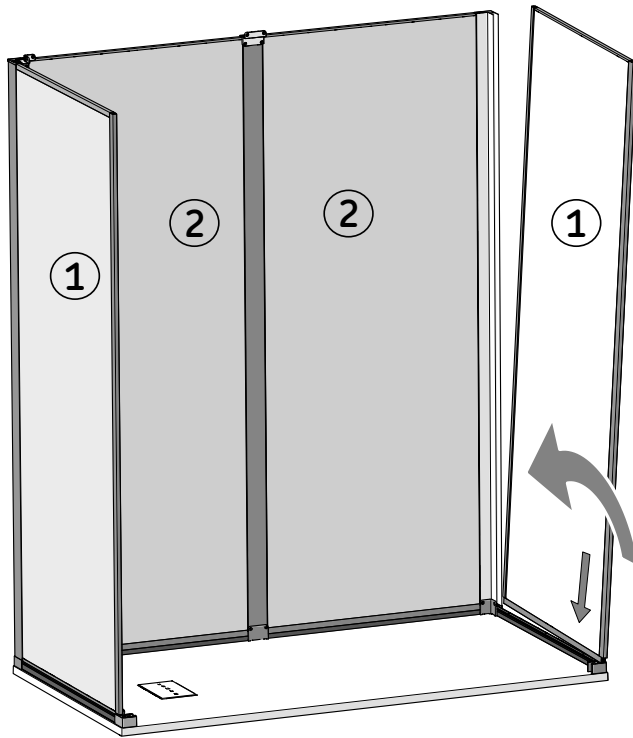
## 10 Panel 2 corner profile



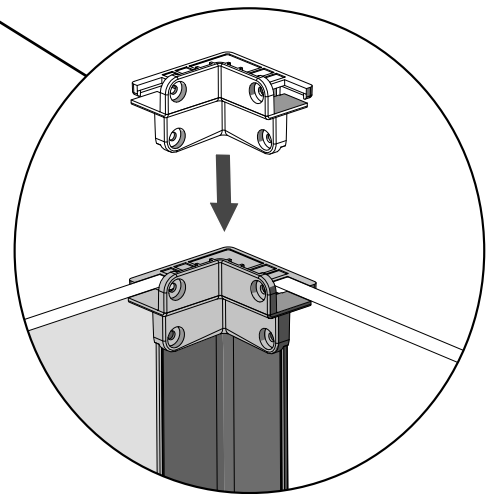
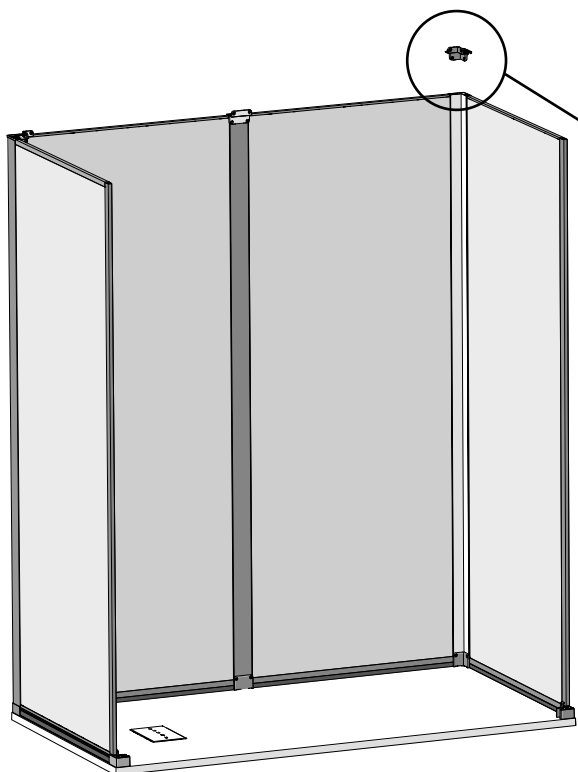
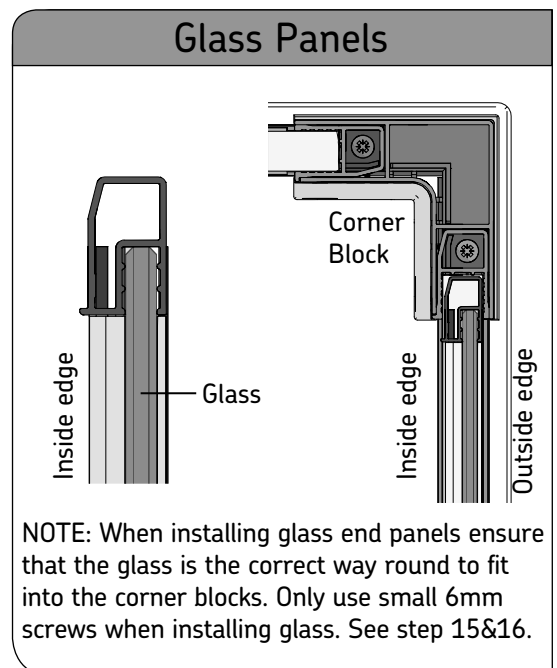


# Panel Installation

## 11 Installing panel 1 to the tray

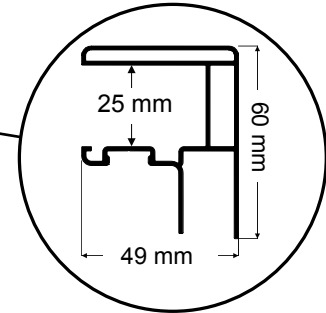
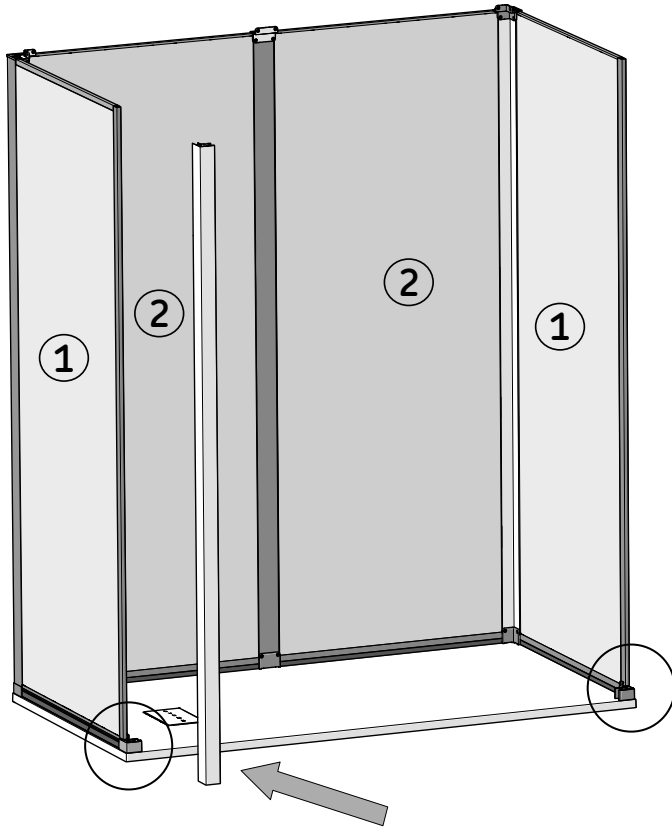


Install panel 1 in the same way as the opposite side.



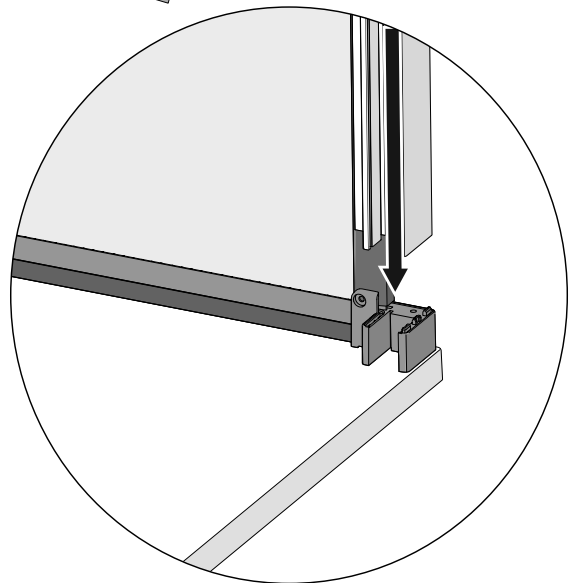
Fit the top corner block to hold both panels together.

## 12 Attaching panels 1 corner profiles

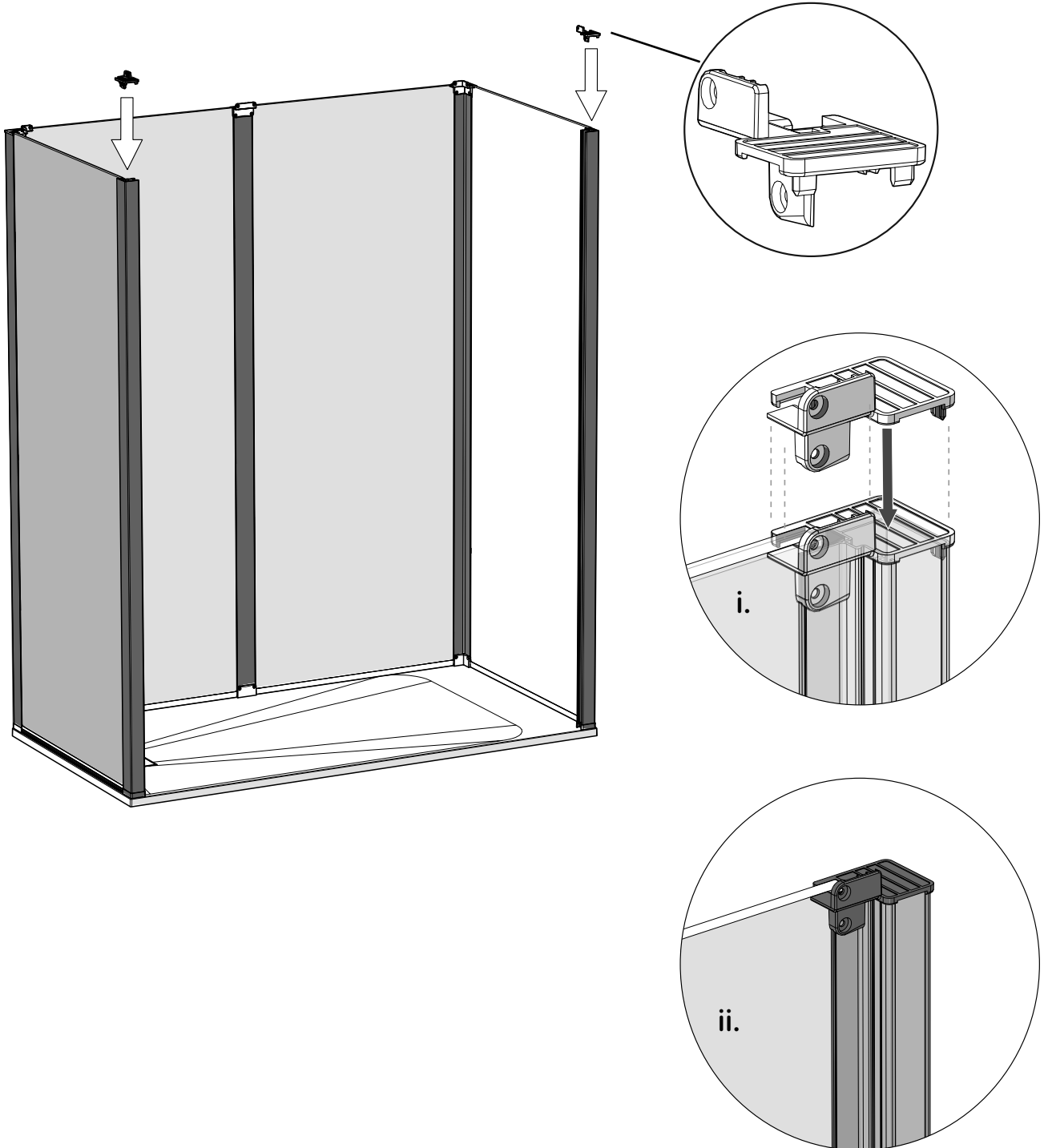


Front panel corner profile

Slide the front corner profiles onto the panels and down into the front corner blocks.

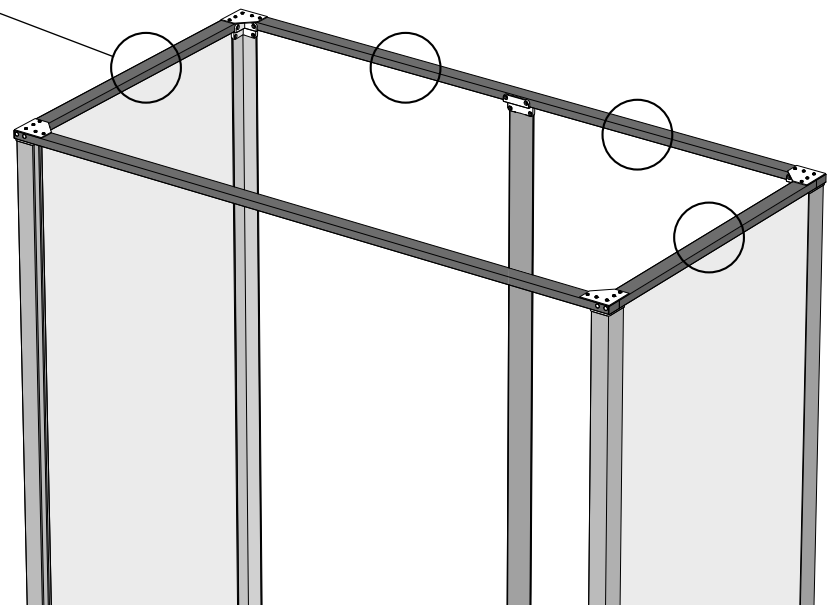
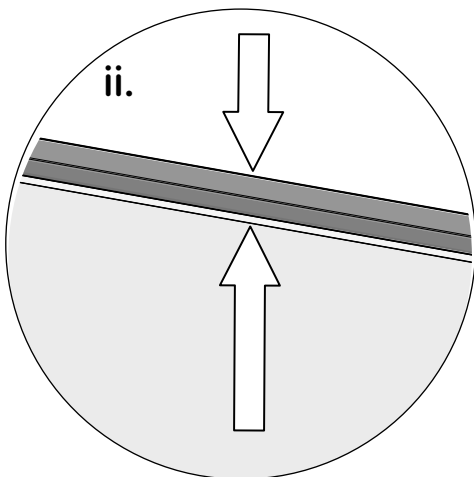
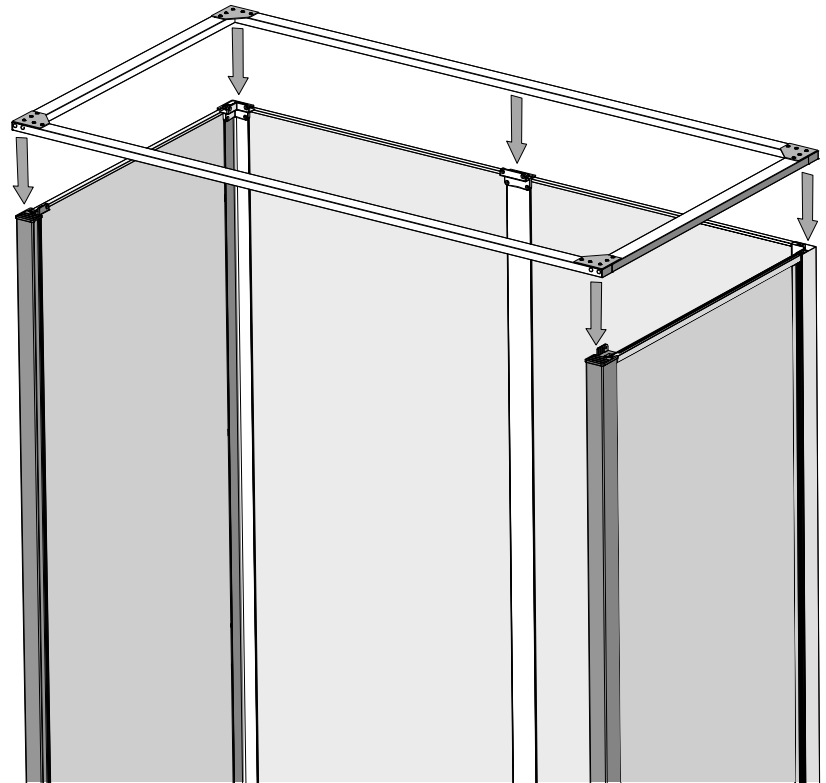
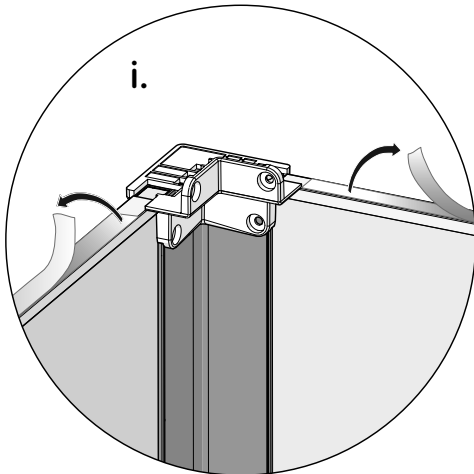


## 13 Attaching the top corner profile blocks



## 14 Securing the top frame to the top profile blocks

- i. Remove the adhesive strips from the top aluminium trims of the side and back panels and lower the top frame onto the top profile blocks and align all the corners.
- ii. Push the top trims to the top frame to seal together before screwing.



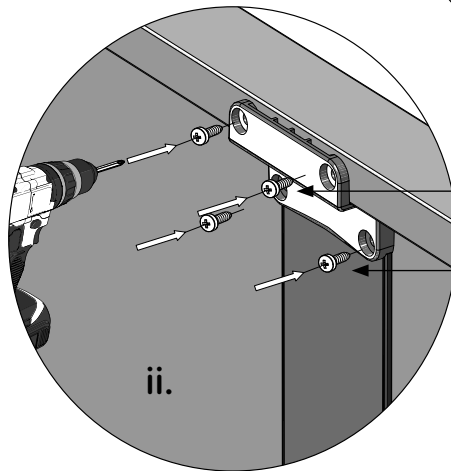
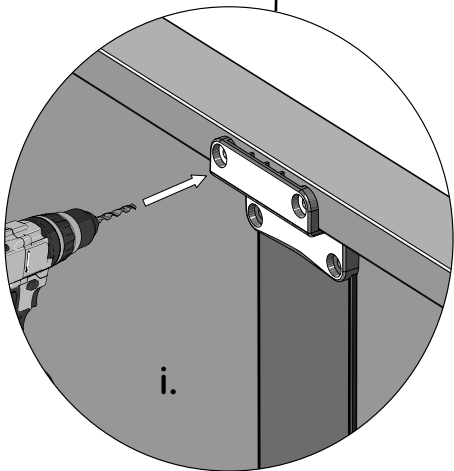
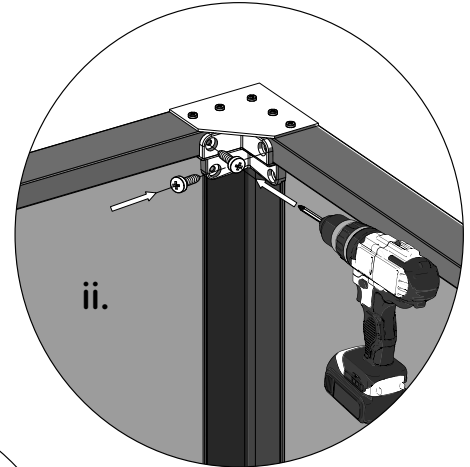
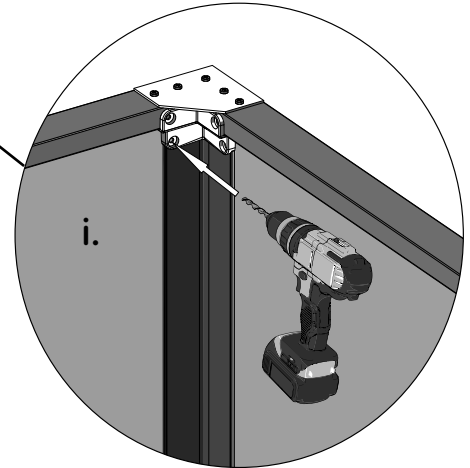
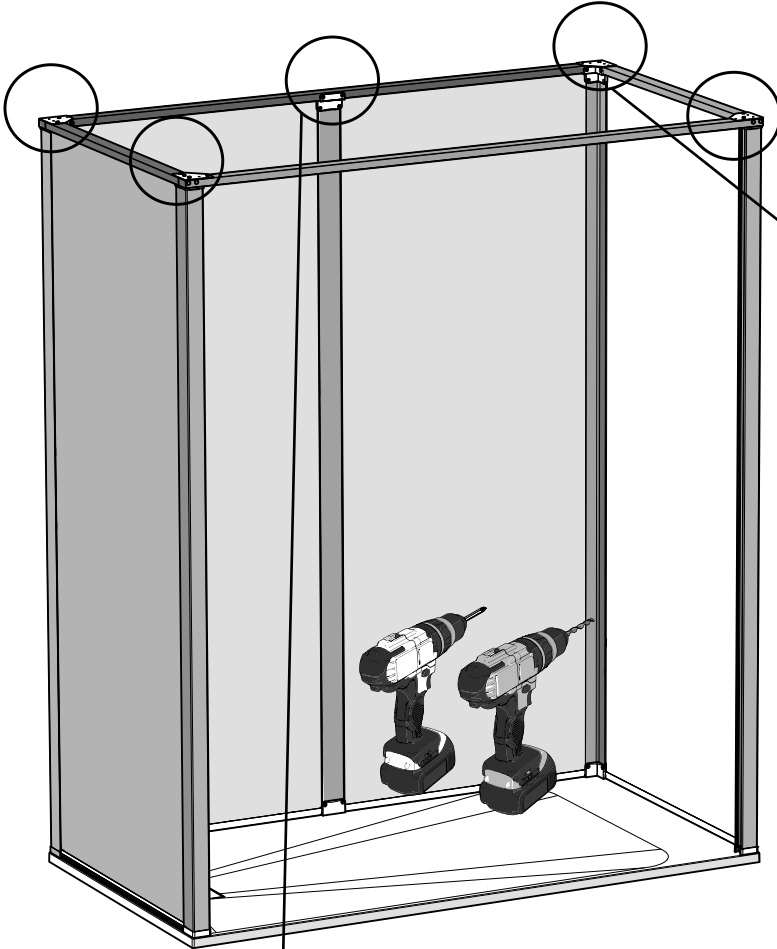
## 15 Install the top profile blocks into position

Drill pilot holes through the top blocks into the panel profiles with a 3mm drill bit.

Fix the top frame together using 3.5x9.5mm pan head screws. Do not overtighten screws.

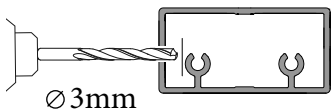


Caution when fixing glass panels use 6mm short pan head screws. see step 16.



3.5x9.5mm pan head screws

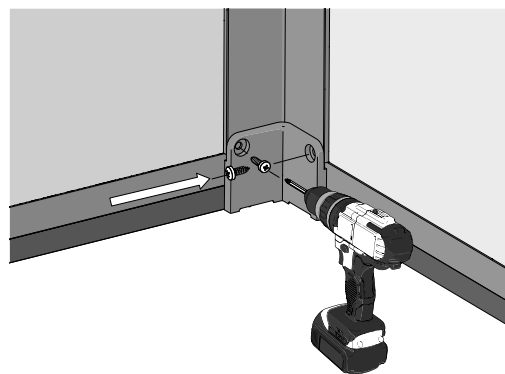
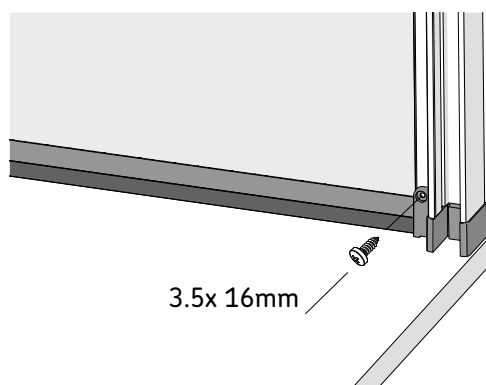
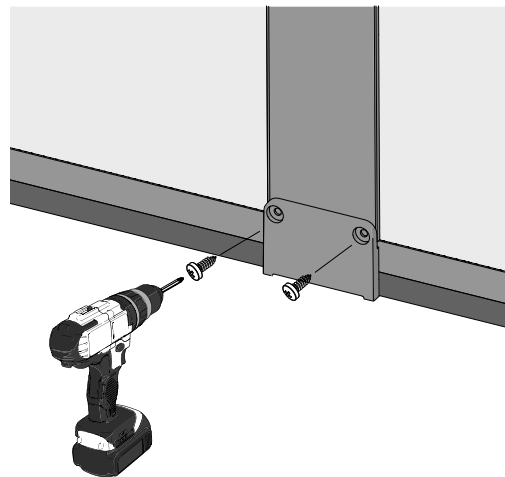
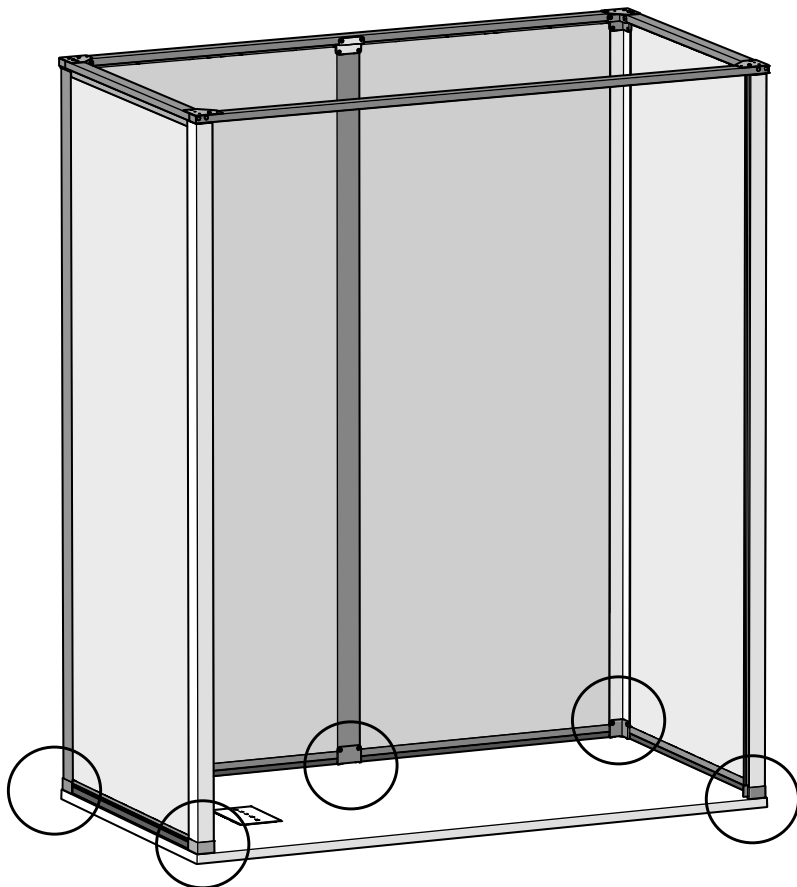
3.5x16mm pan head screws



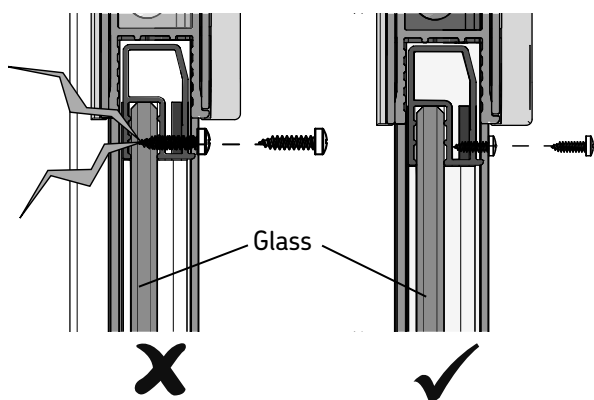
Caution when drilling pilot holes into the profiles

## 16 Install the bottom profile blocks into position

Drill pilots hole through the profile blocks into the panel profiles with a 3mm drill bit and fix together using 3.5x16mm pan head screws. Do not overtighten screws.



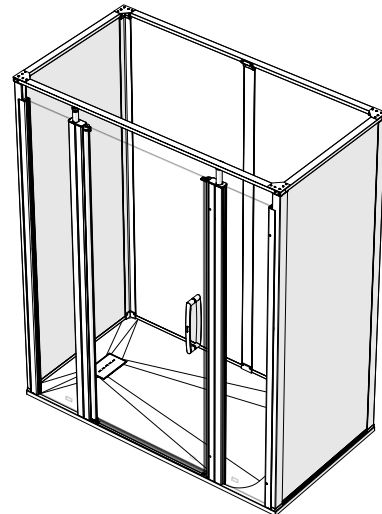
### Glass Panels



**NOTE:** When securing glass end panels ensure that the small 6mm screws are used. Do not break the glass, this will void any warranty. Do not overtighten screws.

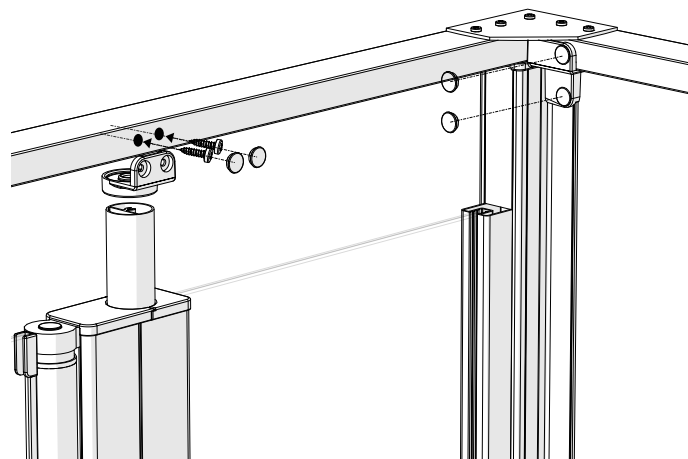
## 17 Installing the screen

For information about installing the screen, follow the installation manual that has been supplied with the chosen screen.



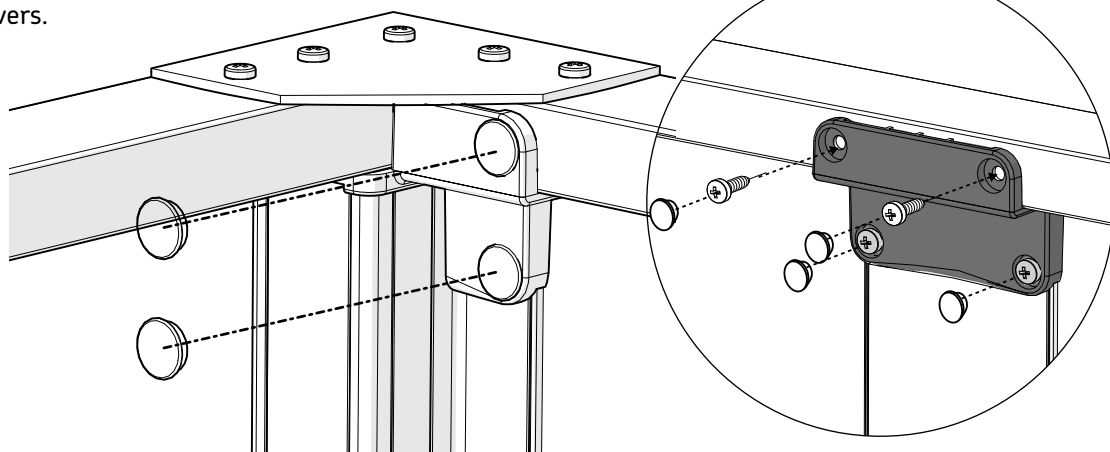
## 18 Securing the screen to the top frame

When using screens with a supporting pole. Attach the top frame pole bracket to the top pole section then attach to the top frame with the 2x 3mm screws and cover with the screw caps.

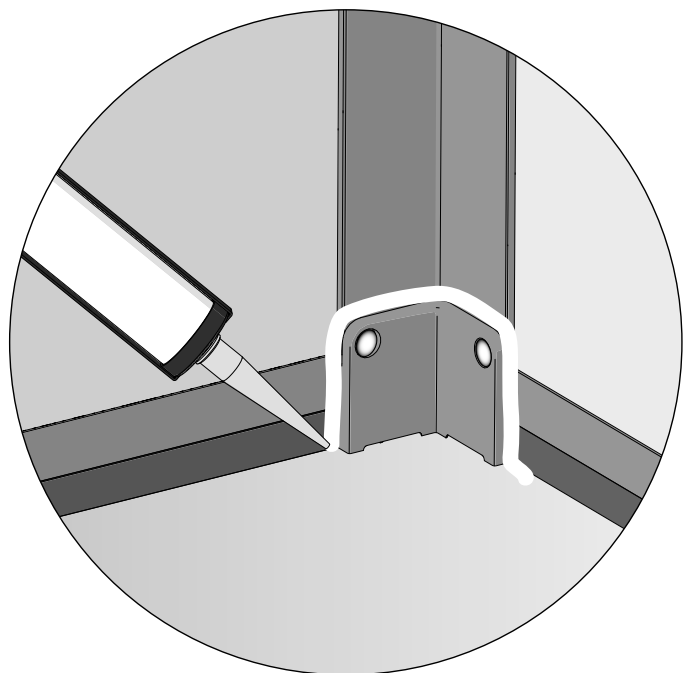
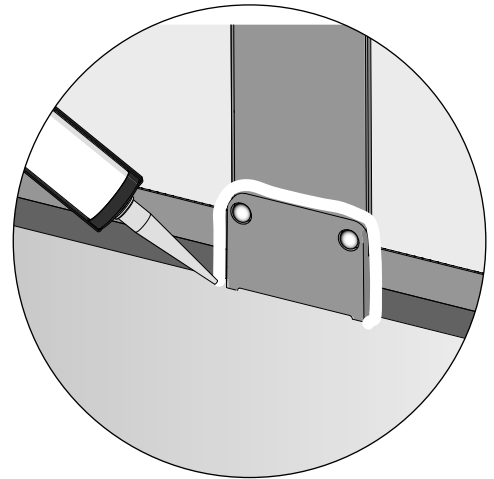
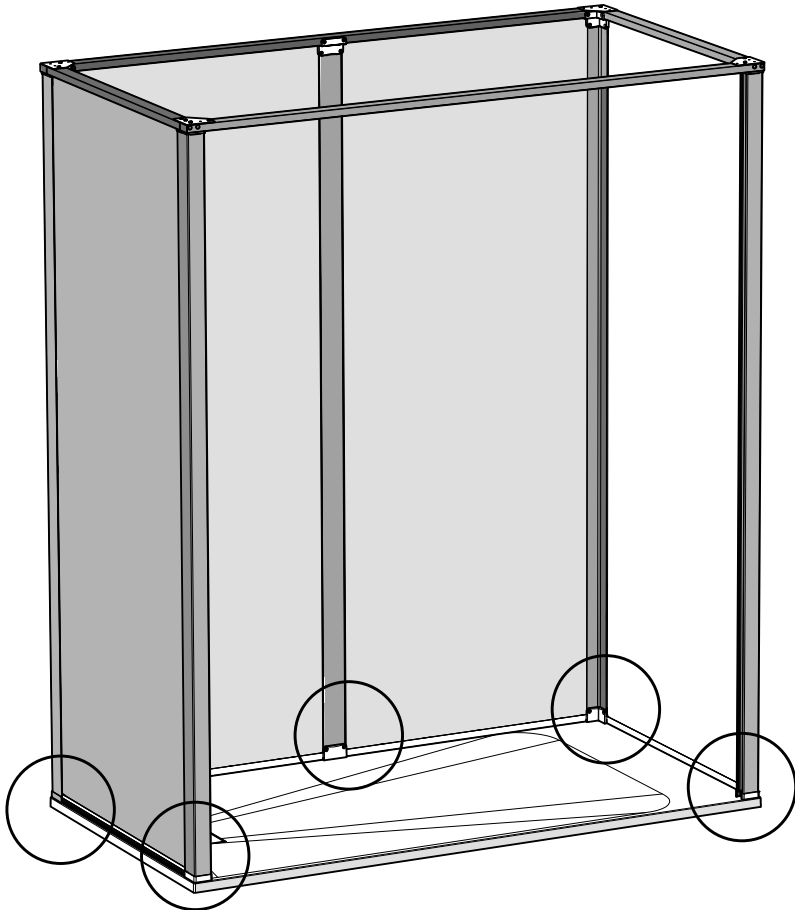


## 19 Fit Screw Caps

Cover all screw heads with the screw cap covers.



## 20 Silicone seal the enclosure

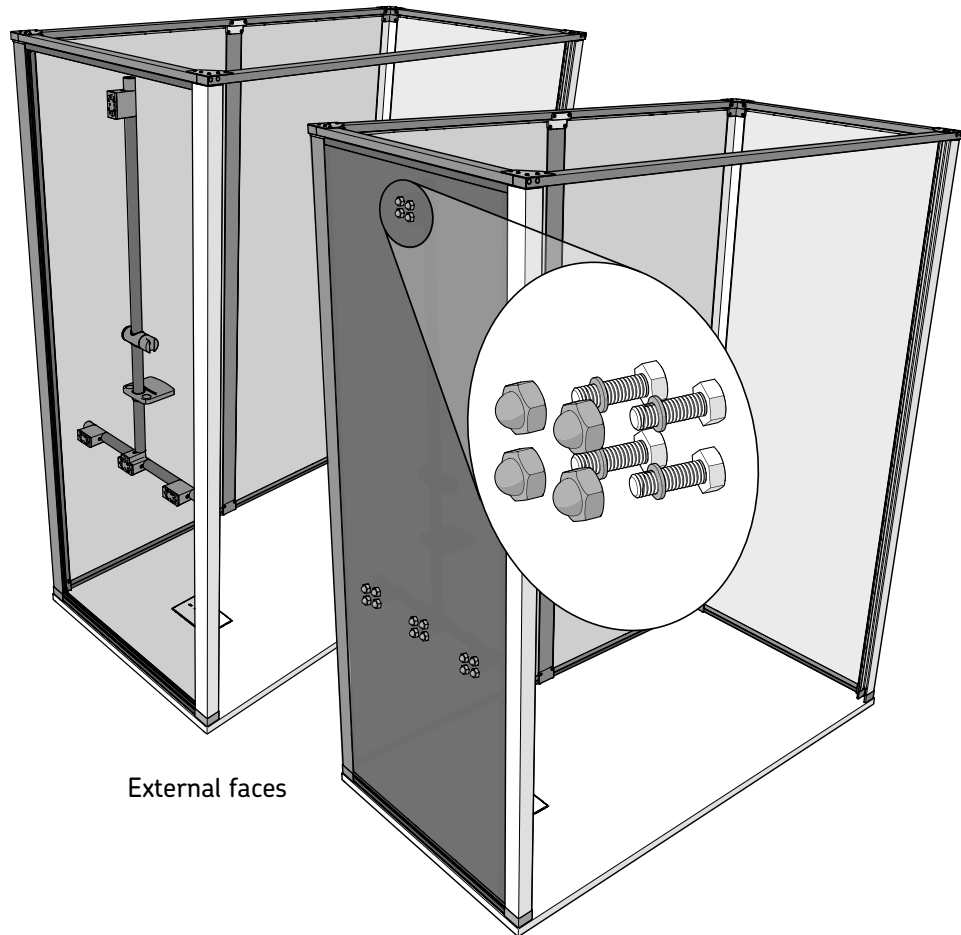


Silicone seal around the bottom blocks



## 21 Attaching Seat and Grabs to panels

When attaching and securing additional seats and grab rails to the panels, AKW recommend using small rounded nuts and bolts on the external faces of the enclosures for a better finish. Fixings and fittings are not included. Alternative fixing can be used on other panels if they are hidden.

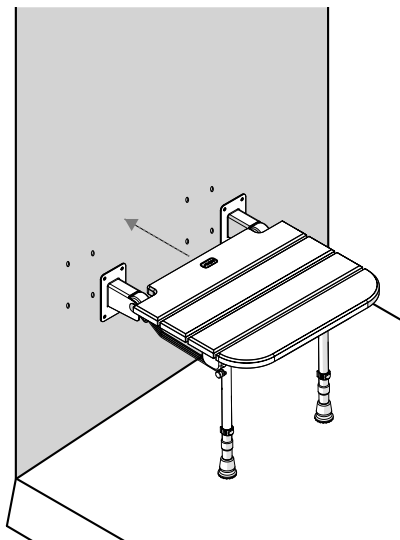


## 22 Aligning and marking seat holes

See separate installation instructions.  
The seat legs can be adjusted to the required height.  
The seat needs to be at 90° degrees to the feet.

Position the seat in the correct position with the legs extended to the users optimal height.

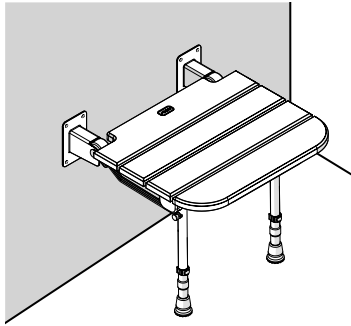
Mark out the hole positions and then make pilot holes for the correct fittings.



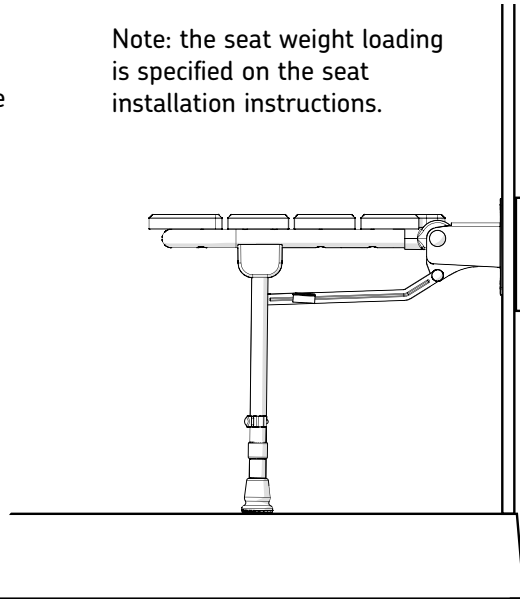
# Installation

## 23 Securing the seat

Insert and tighten the fixings for the seat through the wall panel and into the plywood behind. Place any cover caps over the screw holes.

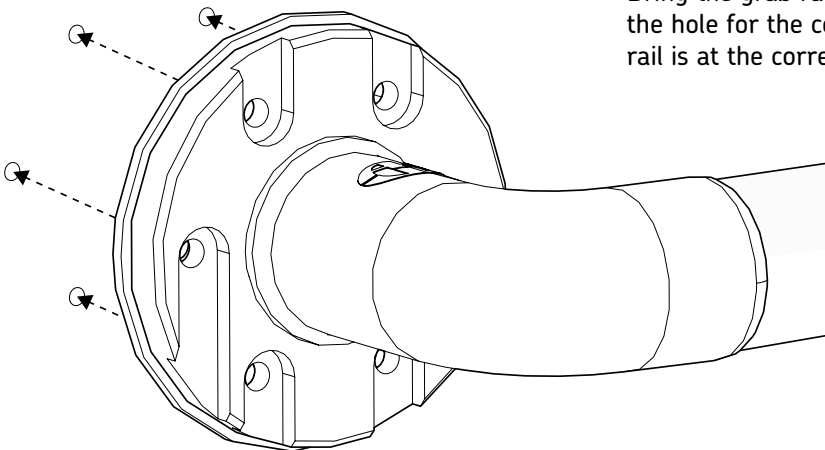


Note: the seat weight loading is specified on the seat installation instructions.



## 24 Aligning and marking

Bring the grab rail up to the panel and mark and pre drill the hole for the correct fittings, make sure that the grab rail is at the correct height for the user and is also level.

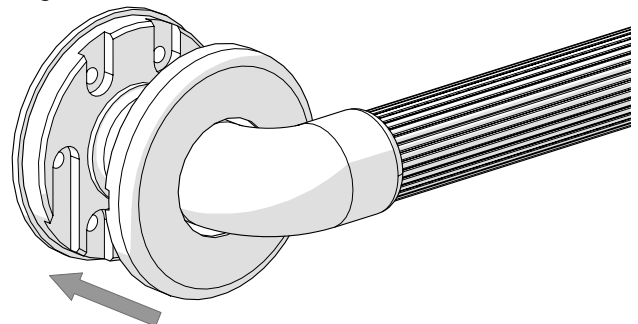
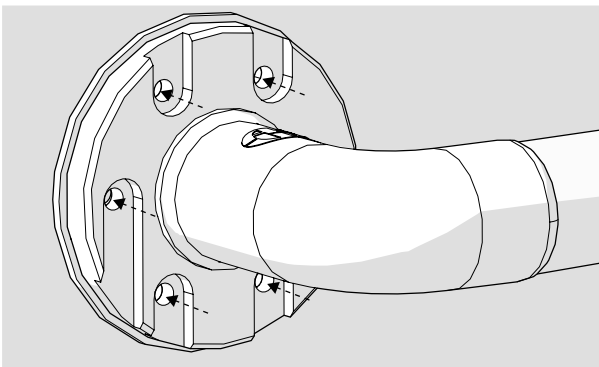


Note: the grab rail maximum weight loading is specified on the installation instructions.

## 25 Securing the grab rail

Align the grab rail up to the holes in the panel and insert the screws through all holes at each end of the rail and secure in place.

Slide the cover caps over the mounting brackets to hide the fixings.



## 26 Attaching the cover panels

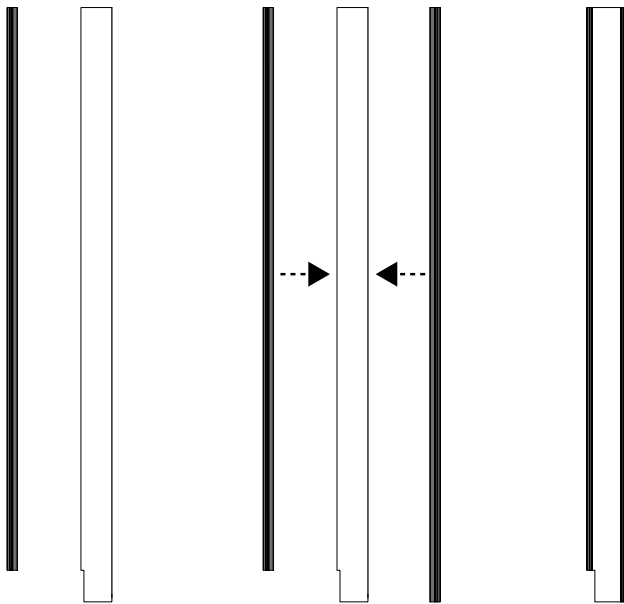
A. Remove the cover to the double sided tape and attach the end trim cap to the tray.

B. Make sure that the cover panels fit into the space provided. If they don't fit, the panels and the two extrusions either side will have to be trimmed to the correct size.

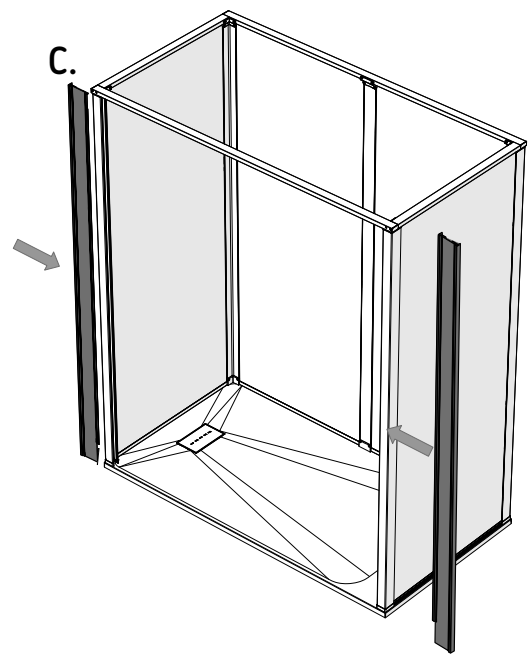
C. Remove the protective strip from the tape on the clip strip, apply pressure to make sure the sides stick. Repeat for the second side.

(Note: make sure that the shorter extrusion is attached to the tray)

B.



C.



## Warranty information

### Warranty does not cover

- Normal wear and tear, inappropriate use or accidental damage.
- Damage or defects that result from incorrect installation, improper use, accidental damage or lack of maintenance including the build up of grime, dirt, lime-scale and water-borne debris.
- Damage resulting from inappropriate cleaning or water ingress.
- Damage or defects that result from repairs, modifications undertaken by unauthorised persons who are not installers or service engineers.

AKW products should be installed by an experienced and competent installer or trades persons using appropriate fixings suitable for the condition of the surfaces on which the product is to be attached.

The selection of any specific fixings must be made by the installer based upon the requirements for each individual installation.

If you do not install this products in accordance with the supplied instructions, or if you carry out any unauthorised modifications to this product, you will affect product safety and invalidate this warranty.

### After Care

Provided that the shower tray has been correctly installed, difficulties should not be encountered. If any maintenance is required, it must be carried out by a qualified Plumber or Engineer.

It is advised that the shower tray is cleaned regularly to remove any insoluble products. Hot soapy water should be used and then the tray should be wiped. Cleaners that have abrasive properties should never be used.

The surface of this shower tray has good resistance properties to acids but should not come into contact with alkalis or organic solvents, such as caustic soda, dry cleaning agents and paint strippers.

Technical Help line  
01905 560219

Orderline  
01905 823299

General Enquiries  
01905 823298

Fax  
01905 823297

Website  
[www.akw-ltd.co.uk](http://www.akw-ltd.co.uk)

Quotes & orders email  
[orders@akw-ltd.co.uk](mailto:orders@akw-ltd.co.uk)

Enquiries email  
[sales@akw-ltd.co.uk](mailto:sales@akw-ltd.co.uk)  
[technicalenquiries@akw-ltd.co.uk](mailto:technicalenquiries@akw-ltd.co.uk)

Post  
AKW, Pointon Way,  
Hampton Lovett,  
Droitwich Spa,  
WR9 0LR



For the latest AKW product news scan this QR code with your device.

## What to do if something goes wrong?

In the event that you should encounter a problem with this product, please contact your local installer and if this does not resolve the issue, then contact AKW technical team who will provide further advice and, if necessary, arrange for a maintenance engineer to visit and report any issues. As part of our quality and training program, calls may be monitored or recorded. None of the foregoing affects your statutory rights.

These instructions are provided to advise the minimum standards of installation and recommends what the best practice for the installation is. Due to the very wide variability of possible installation conditions, AKW cannot provide all circumstances for the installation. AKW cannot accept any liability in connection with this information or its use. This information is provided on the condition that the person receiving it shall make his/her own tests to determine the suitability for the particular purpose. Failure to install this AKW product in accordance with supplied instructions or the making of unauthorised modifications will invalidate any warranty and may affect product safety. None of the foregoing affects your statutory rights.